

Towel Rail Installation

[neu.haus][®]
 Item No: PXAF-0101-0102
 PXAF-0120-0121
 (V1.0)

- Read the instruction sheet carefully before installation.
- Installation should be completed by a professional electrician.
- Please dispose the package properly.

tools required



Screwdriver



Pencil



Spirit Level



Rubber Hammer



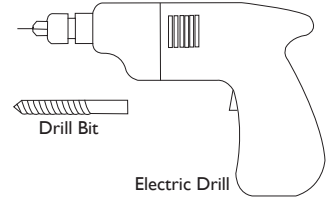
Tape Measure



Adjustable Wrench



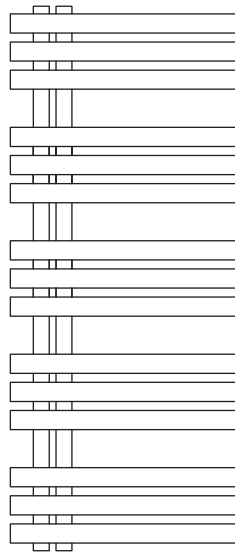
Gloves



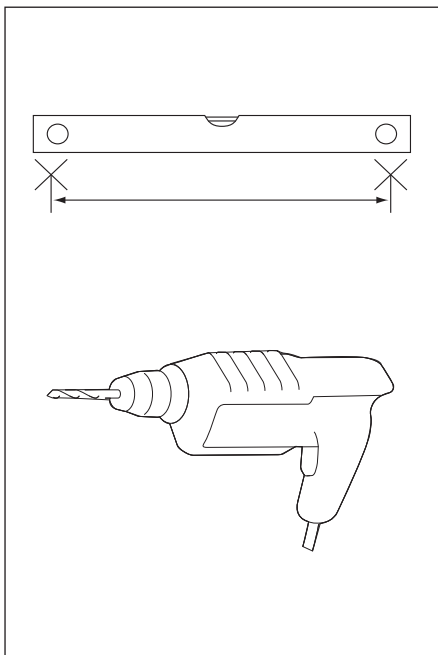
Electric Drill



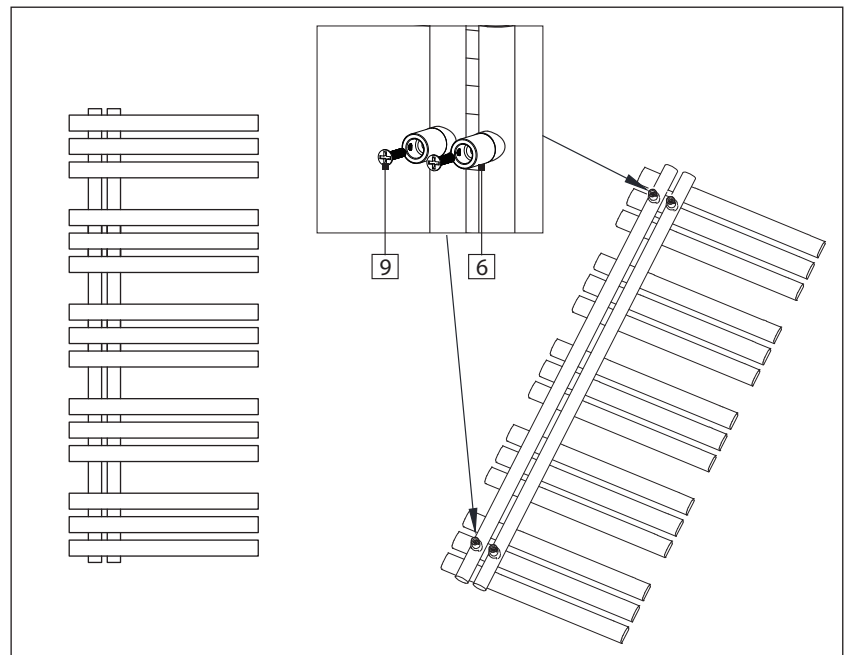
Drill Bit



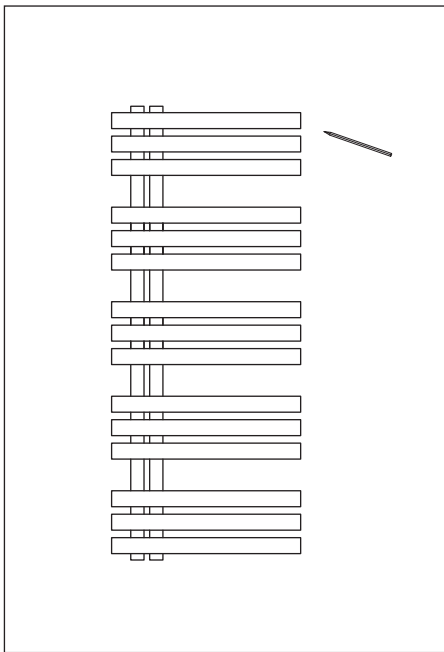
1		Plug	x1
2		Air Vent	x1
3		Washer	x4
4		Long Screw	x4
5		Masonry Wall Plug	x4
6		Spacer	x4
7		Wall Support	x4
8		M5X12CrossScrew	x4
9		M6X25CrossScrew	x4



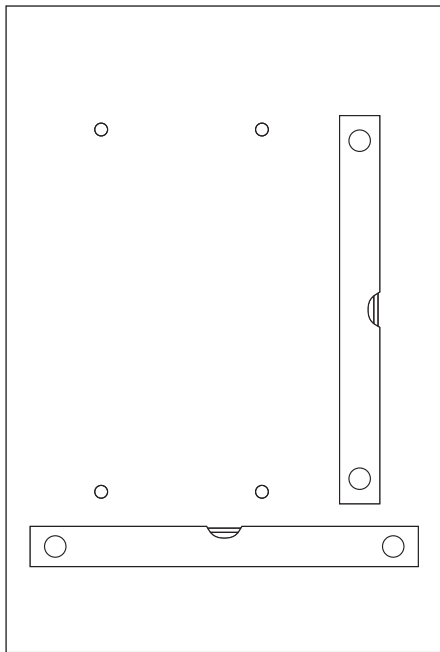
step 1
 Please confirm the installation location before installation.



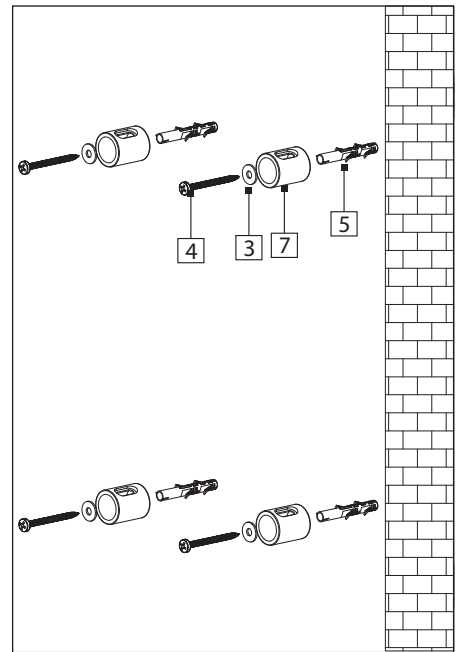
step 2
 Fix the bucket spacers with screws on the nut stand at backside of the radiator.



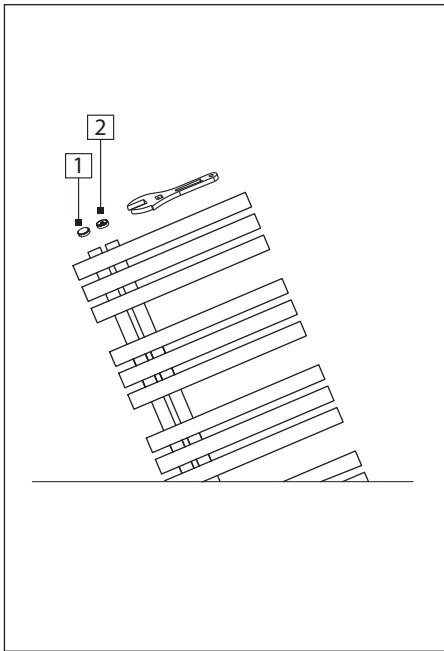
step 3
Place the towel rack on the wall to be installed, and mark the location of the wall bracket screws with a pencil.



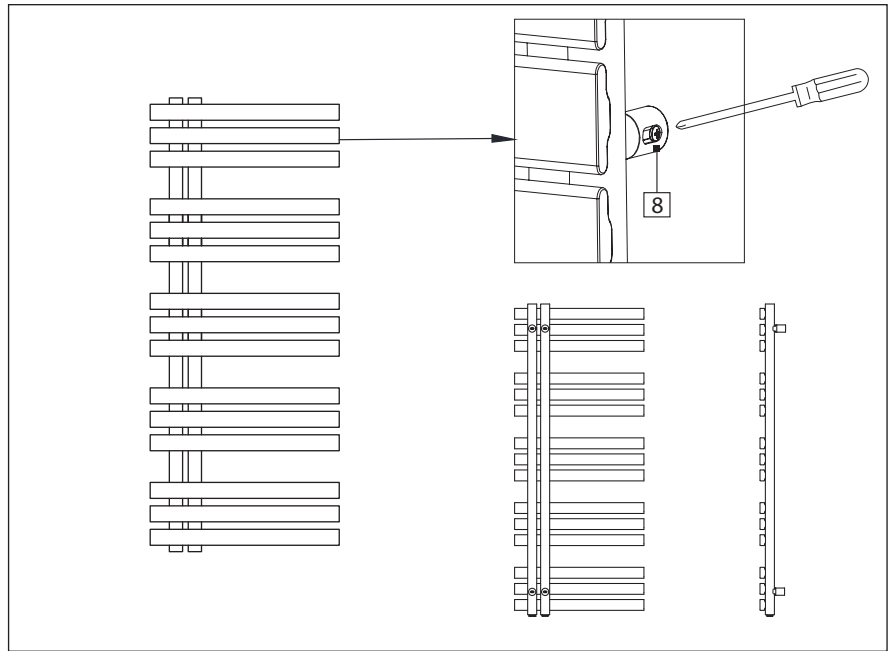
step 4
Use an 8MM drill bit to drill holes at the marked locations.



step 5
Knock the expansion tube into the drilled 8mm hole, and fix the support base on the wall with expansion screws.



step 6
Install the plug and air vent on the top pipes.



step 7
Put the towel radiator on the brackets which already install on the wall and use screws to fix it.

After installation . . .

- Use a screwdriver to open the air vent, open the valve and let the water rush into the towel warmer. Check all connections for leaks.
- Once water overflows from the air vent, there is no air in the tube.
- Use a screwdriver to close the air vent, turn on the valve and the towel warmer is ready for use.

After care . . .

- Classic towel warmers are made from steel with chrome plating, and should not be cleaned with corrosive or scouring cleaning agents.

Please note . . .

- This product can only be used at $PN \leq 0.8 \text{MPa}$ (8g/cm^2 , 8Bar). It should only be filled with water, and at a temperature below 100°C (212°F). See table below for installation requirements.
- If the temperature exceeds 48°C (or 120°F), please install a warning sign near the product to avoid burning and scolding accidents.

Fill $\frac{3}{4}$ Full	Pressure	Temperature	Comments
water only	$PN \leq 0.6 \text{Mpa}$	$0^\circ \text{C} < t \leq 100^\circ\text{C}$	If ambient temperature drops below 1°C , drain out the water to prevent freezing.

H.T. TRADE SERVICE GmbH & Co. KG
49090 Osnabrück, Eversburger Str. 32. Germany